

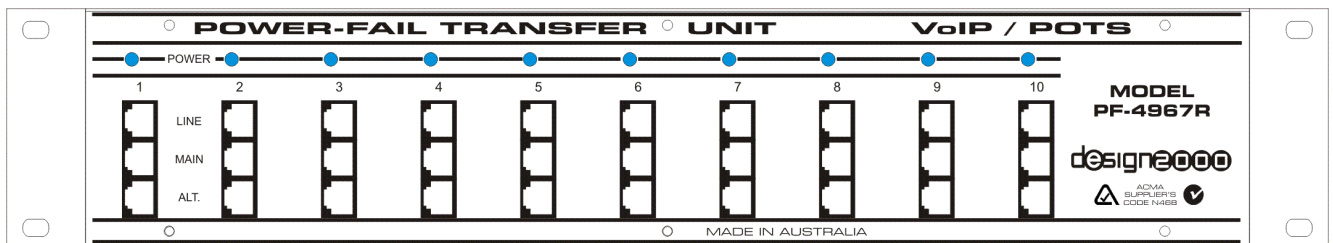


# POWER-FAIL TRANSFER UNIT MODEL PF-4967R

## POWER FAIL CHANGE-OVER RELAYS – MULTI-LINE RACK VERSION

The PF-4967T is a sub-rack of ACMA approved isolation relay cards (PC-5121) for automatically redirecting up to ten phone lines to an alternate path when there is a power failure.

### PANEL LAYOUT



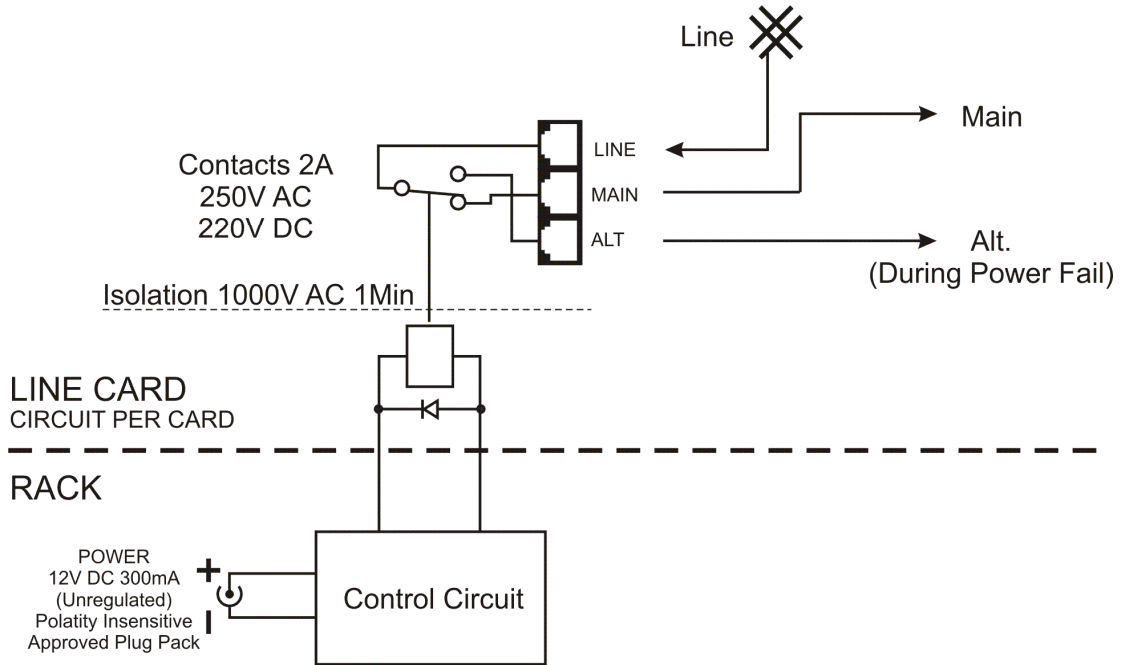
### CONNECTIONS

- Power via the supplied 12 Vdc power adaptor is connected to POWER IN on the back.
- The incoming both-way line is connected to LINE (RJ12 centre pair).
- The main outgoing both-way line is connected to MAIN (RJ12 centre pair).
- The alternate outgoing both-way line is connected to ALT. (RJ12 centre pair).
- The incoming line is normally connected to the MAIN line and automatically switches to the ALT. line when there is a power outage.





**BLOCK DIAGRAM**



Enclosure Dimensions: 2RU, ½ depth 19" sub-rack  
 Part Number: PF-4967R  
 Line Card: PC-5121

ACMA Supplier's Code: N468



Est. 1968

Telephone: 03 9758 5933  
 Facsimile: 03 9758 5560  
 Email: gen@design2000.com.au  
 Web site: www.design2000.com.au

